

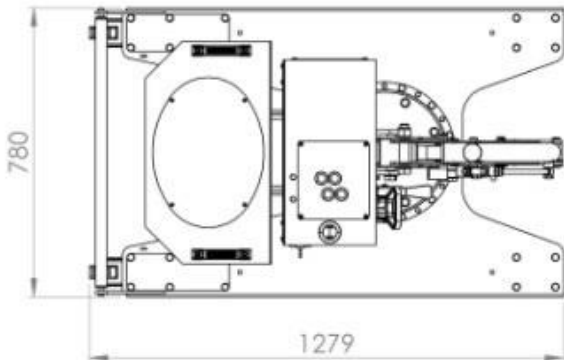
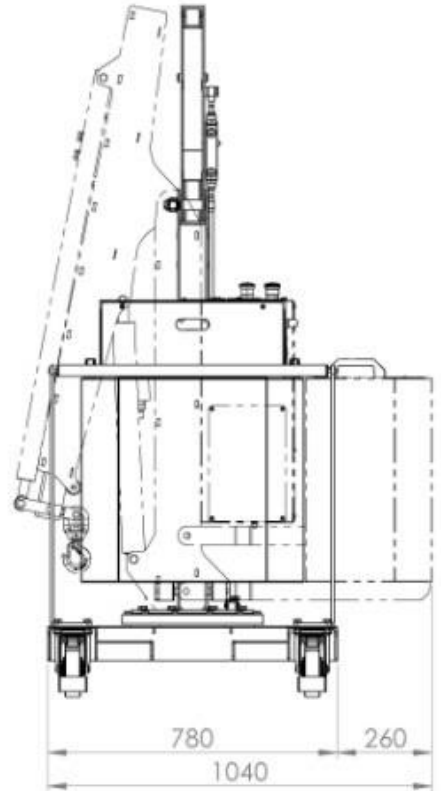
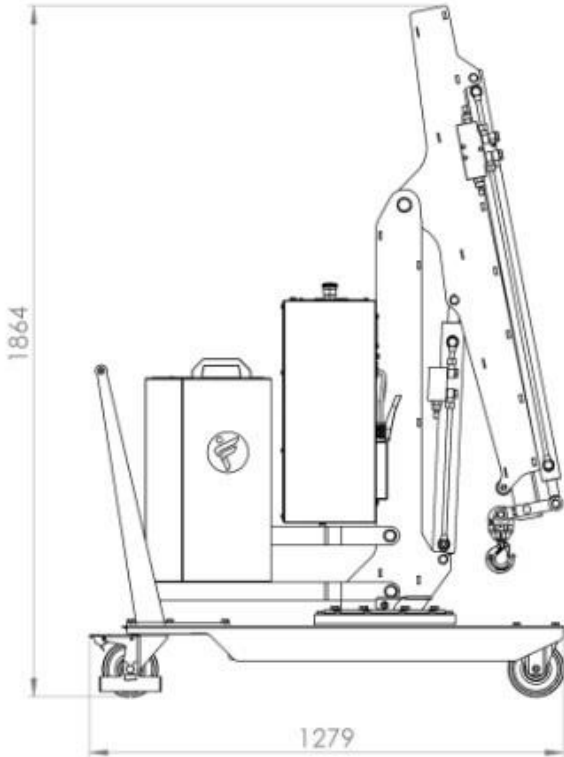
CRANE 01B2SE_1000

LIFTING CAPACITY 200 KG
COUNTERBALANCED SWIVEL CRANE ELECTRIC LIFT/LOWER/EXTEND/RETRACT
THROUGH 4 WAY CONTROL LEVERS AT ADJUSTABLE SPEED

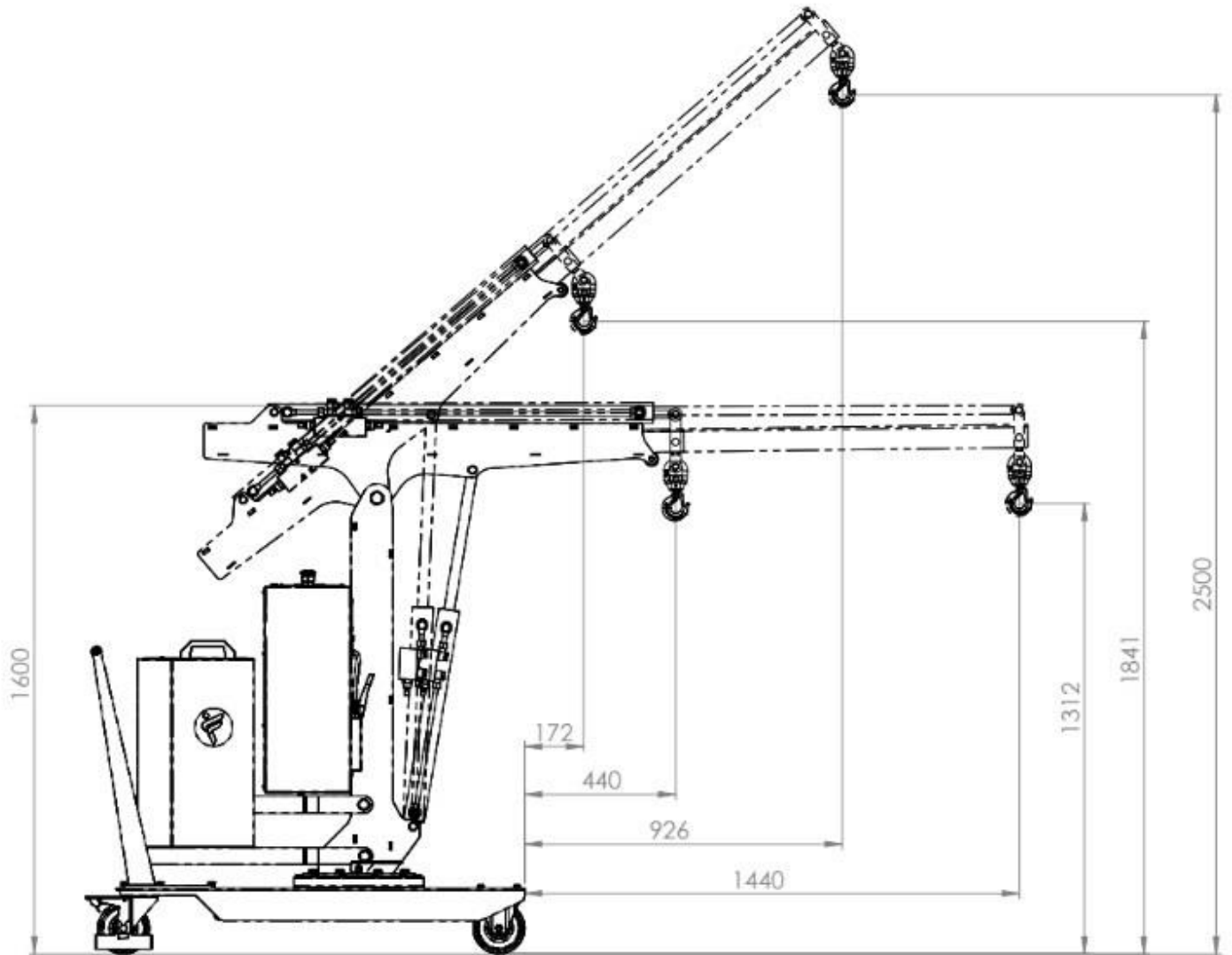


Model		01B2SE_1000
Drive		Manual
Rotation		360° manual - slewing bearing system
Arm lifting		Electric – control lever
Arm lowering		Electric – control lever
Arm extension		Electric – control lever
Width with arm not rotated	mm/inch.	780 / 30
Width with arm rotated at 90°	mm/inch.	1040 / 41
Max capacity with standard arm	Kg / lbs.	200 / 440 * see load chart below
Max capacity with extension PZG_SE	Kg / lbs.	40 / 88 * see load chart below
Weight of the crane (counterweight incl.)	Kg / lbs.	480 / 1058
Battery type standard		Lead acid
Batteries nos.	pcs	1
Battery voltage / nominal capacity	V / Ah	12 / 80
Lifting motor	W	-
Traction motor	W	-

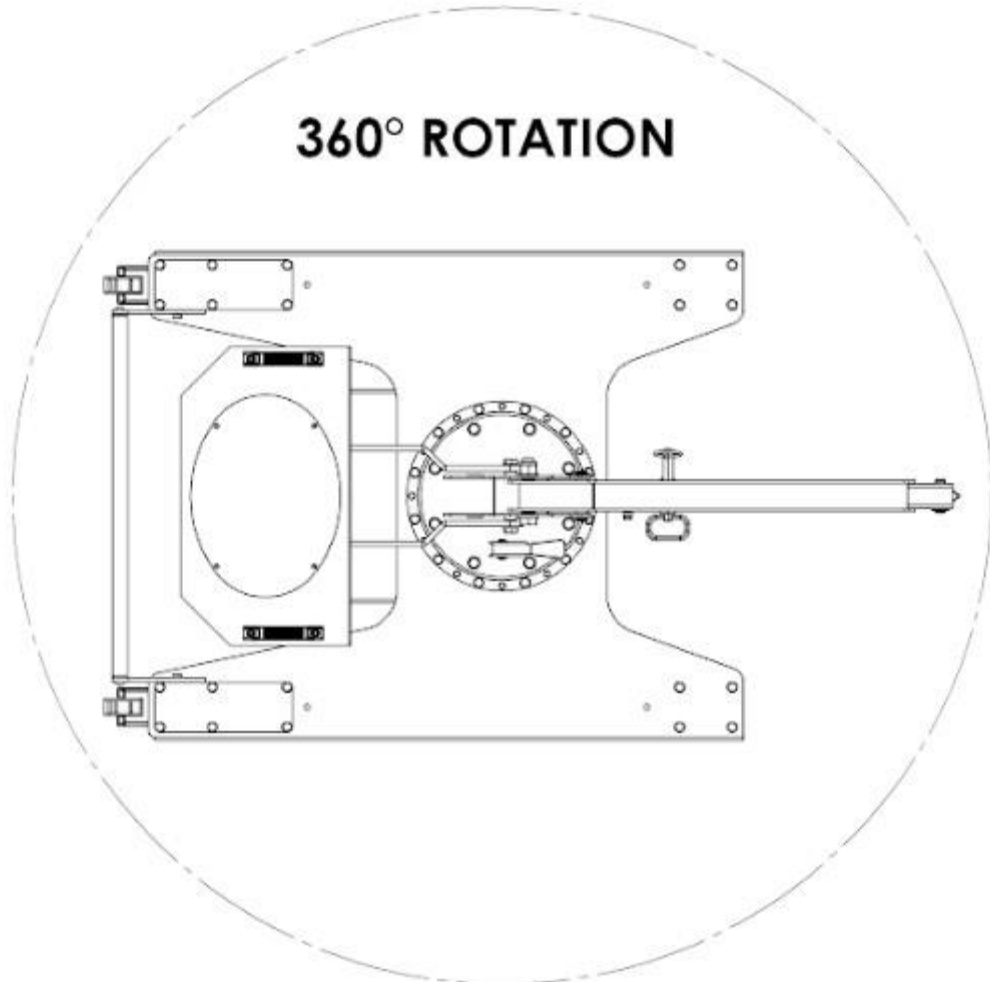
CRANE 01B2SE_1000 MAIN DIMENSIONS



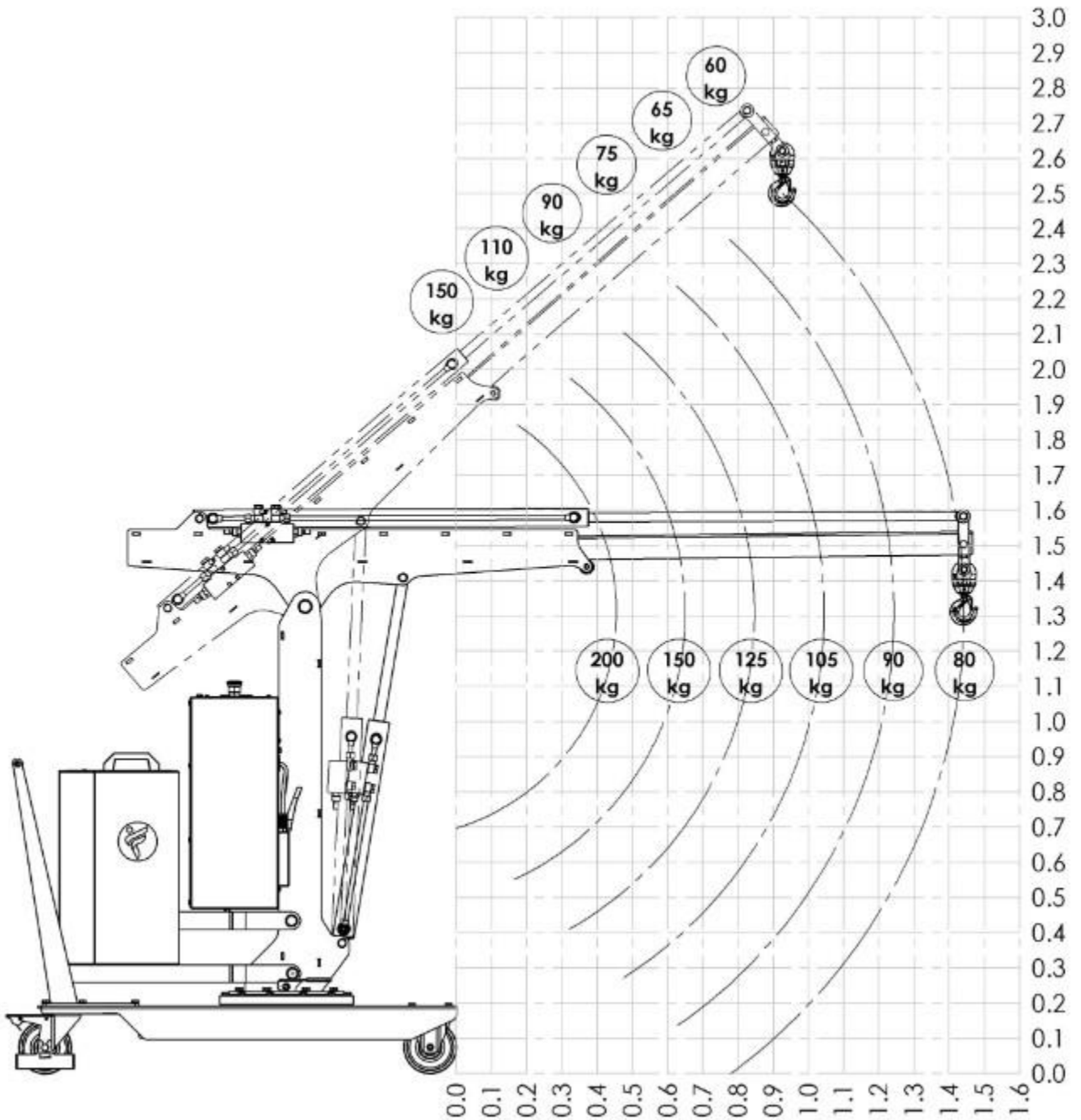
CRANE 01B2SE_1000 DETAILED DIMENSIONS WITH STANDARD ARM



CRANE 01B2SE_1000 MAIN DIMENSIONS



CRANE 01B2SE_1000 LOAD CHART WITH STANDARD ELECTRIC ARM



CRANE 01B2SE_1000

LOAD CHART WITH OPTIONAL MECHANICAL EXTENSION PZG_SE

