

CRANE ORBIT 500ER

LIFTING CAPACITY 500 KG

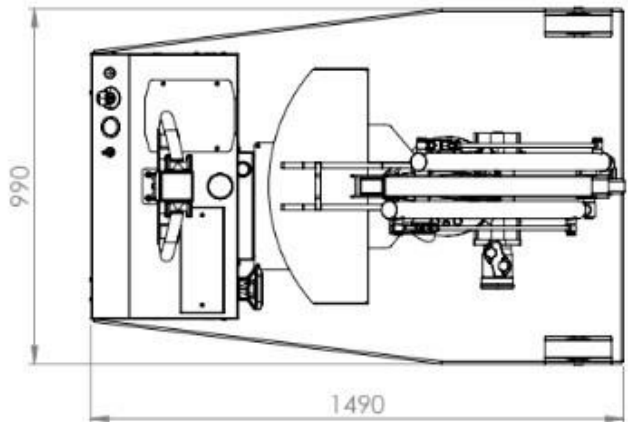
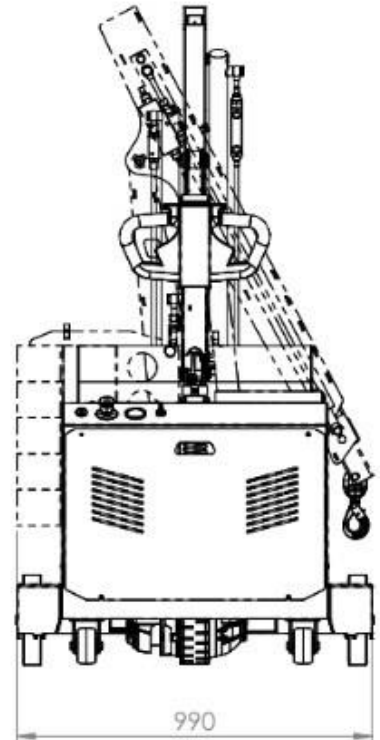
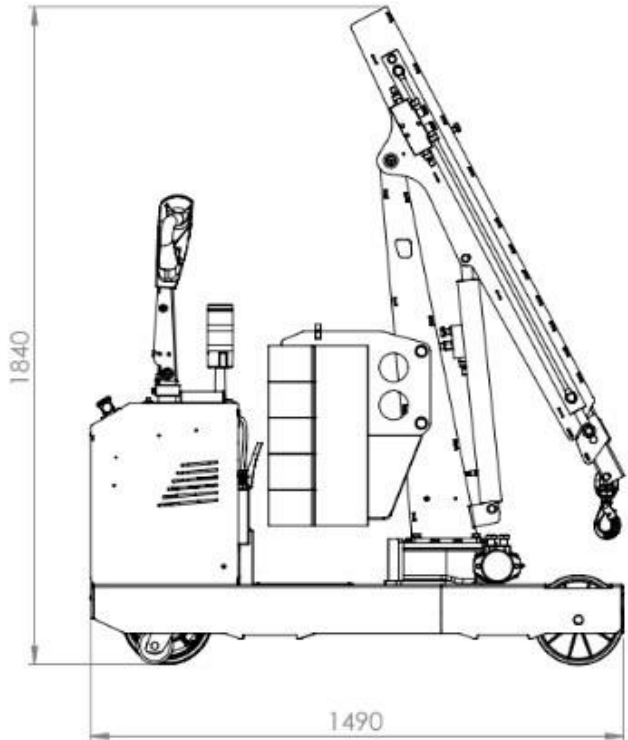
MOTORISED COUNTERBALANCED SWIVEL CRANE

ELECTRIC LIFT/LOWER/EXTEND/RETRACT/ROTATION THROUGH PUSH BUTTON REMOTE CONTROL
AT ADJUSTABLE SPEED

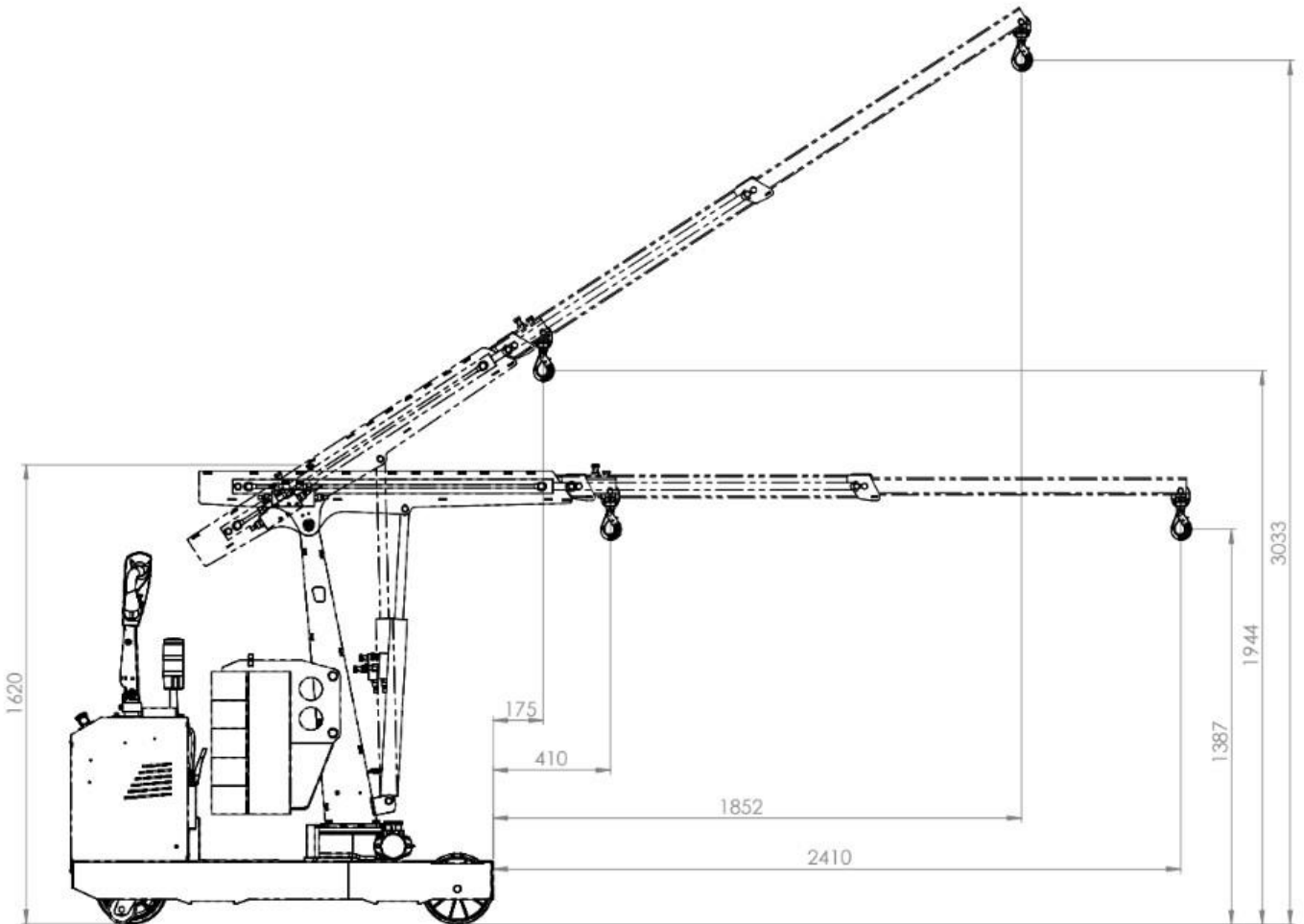


Model		ORBIT 500ER
Drive		Electric
Rotation		210° electric controlled
Arm lifting		Electric – remote control
Arm lowering		Electric – remote control
Arm extension		Electric – remote control
Width with arm not rotated	mm/inch.	990 / 39
Width with arm rotated at 90°	mm/inch.	990 / 39
Max capacity with standard double boom	Kg / lbs.	500 / 1102 * see load chart below
Weight of the crane (counterweight incl.)	Kg / lbs.	1100 / 2425
Battery type standard		Maintenance free AGM
Batteries nos.	pcs	2
Battery voltage / nominal capacity	V / Ah	12 / 120
Lifting motor	W	800
Traction motor	W	1200

CRANE ORBIT 500ER MAIN DIMENSIONS



CRANE ORBIT 500ER DETAILED DIMENSIONS WITH STANDARD ELECTRIC TELESCOPIC DOUBLE BOOM



CRANE ORBIT 500ER MAIN DIMENSIONS

