

CRANE ORBIT 200EL

LIFTING CAPACITY 200 KG

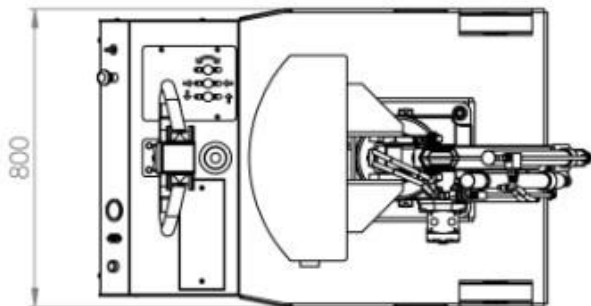
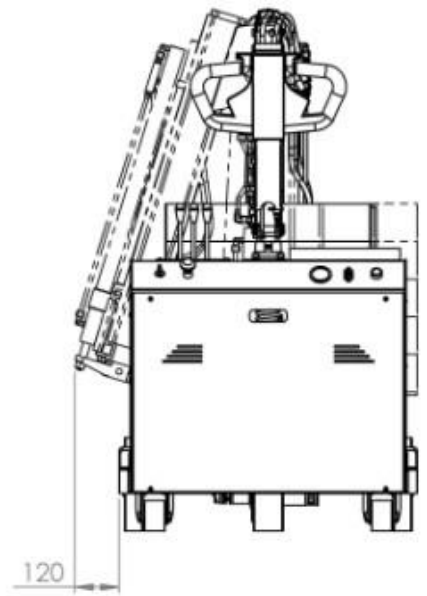
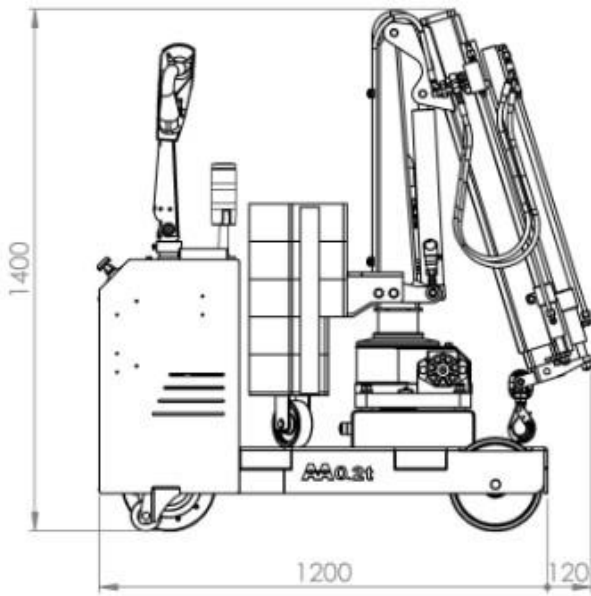
MOTORISED COUNTERBALANCED SWIVEL CRANE

ELECTRIC LIFT/LOWER/EXTEND/RETRACT/ROTATION THROUGH CONTROL LEVERS
AT ADJUSTABLE SPEED

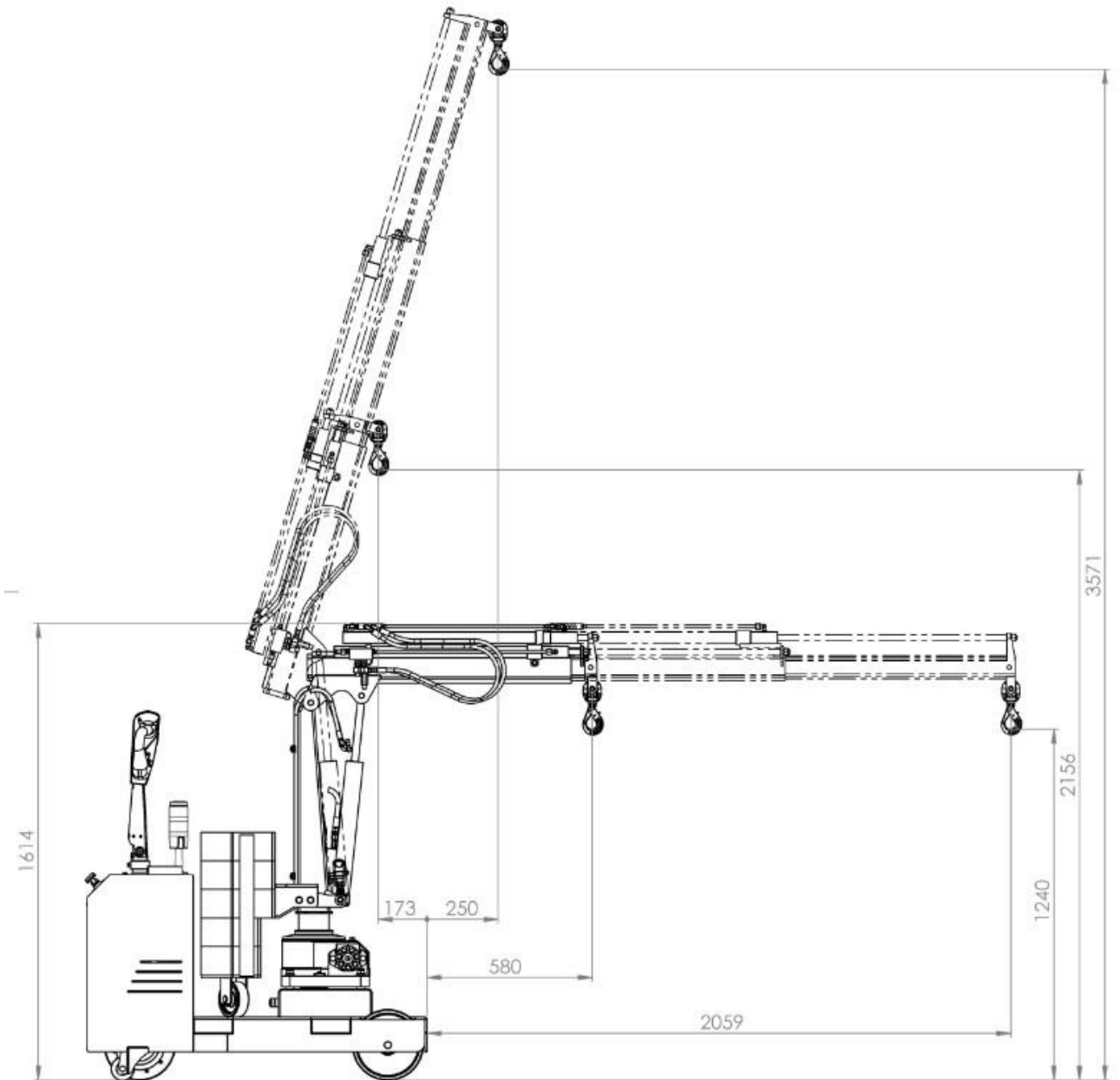


Model		ORBIT 200EL
Drive		Electric
Rotation		210° electric controlled
Arm lifting		Electric – control lever
Arm lowering		Electric – control lever
Arm extension		Electric – control lever
Width with arm not rotated	mm/inch.	800 / 31
Width with arm rotated at 90°	mm/inch.	800 / 31
Max capacity with standard double boom	Kg / lbs.	200 / 440 * see load chart below
Weight of the crane (counterweight incl.)	Kg / lbs.	800 / 1763
Battery type standard		Maintenance free AGM
Batteries nos.	pcs	2
Battery voltage / nominal capacity	V / Ah	12 / 120
Lifting motor	W	800
Traction motor	W	1200

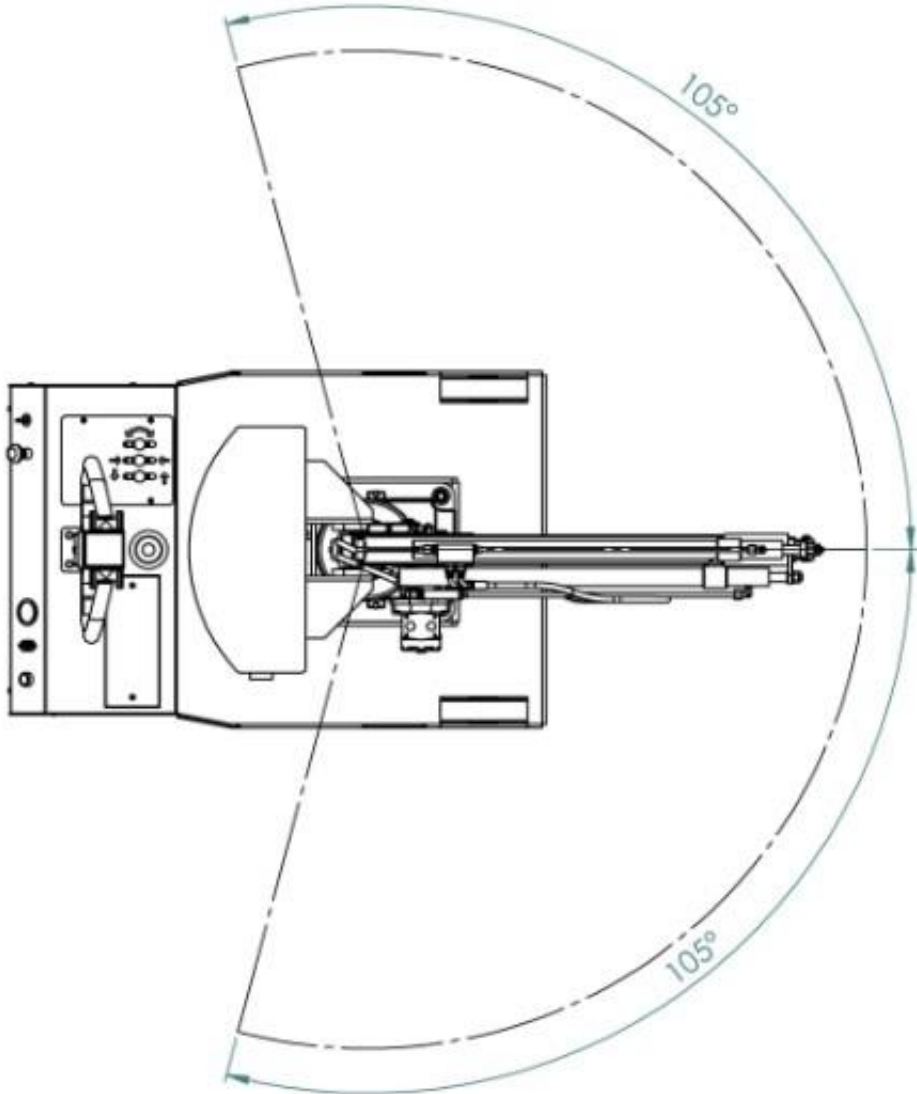
CRANE ORBIT 200EL MAIN DIMENSIONS



CRANE ORBIT 200EL DETAILED DIMENSIONS WITH STANDARD ELECTRIC TELESCOPIC DOUBLE BOOM



CRANE ORBIT 200EL MAIN DIMENSIONS



CRANE ORBIT 200EL LOAD CHART WITH STANDARD ELECTRIC TELESCOPIC DOUBLE BOOM

