

CRANE 01M5

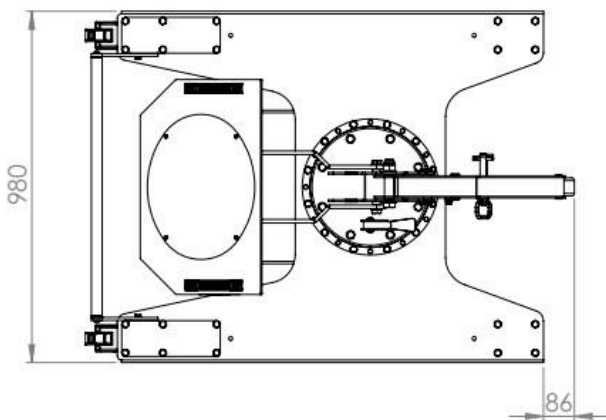
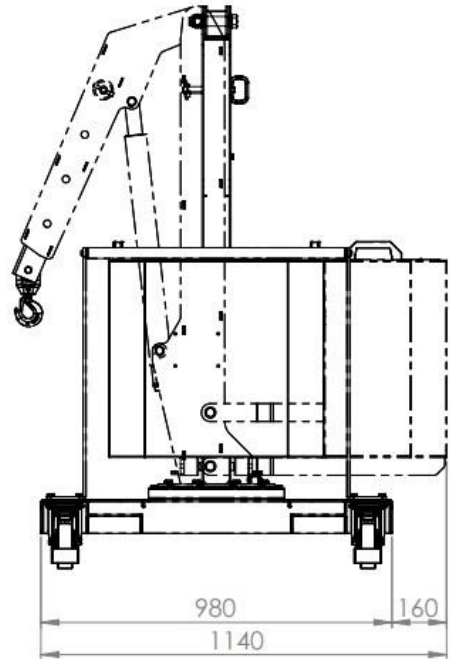
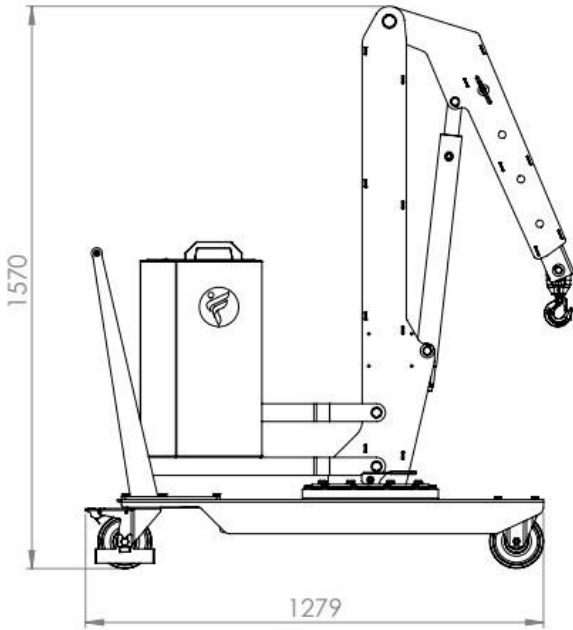
LIFTING CAPACITY 500 KG

COUNTERBALANCED SWIVEL CRANE HYDRAULIC LEVER CONTROLLED FAST LIFT
DOUBLE ACTION PUMP – FINE CONTROL DESCENT KNOB

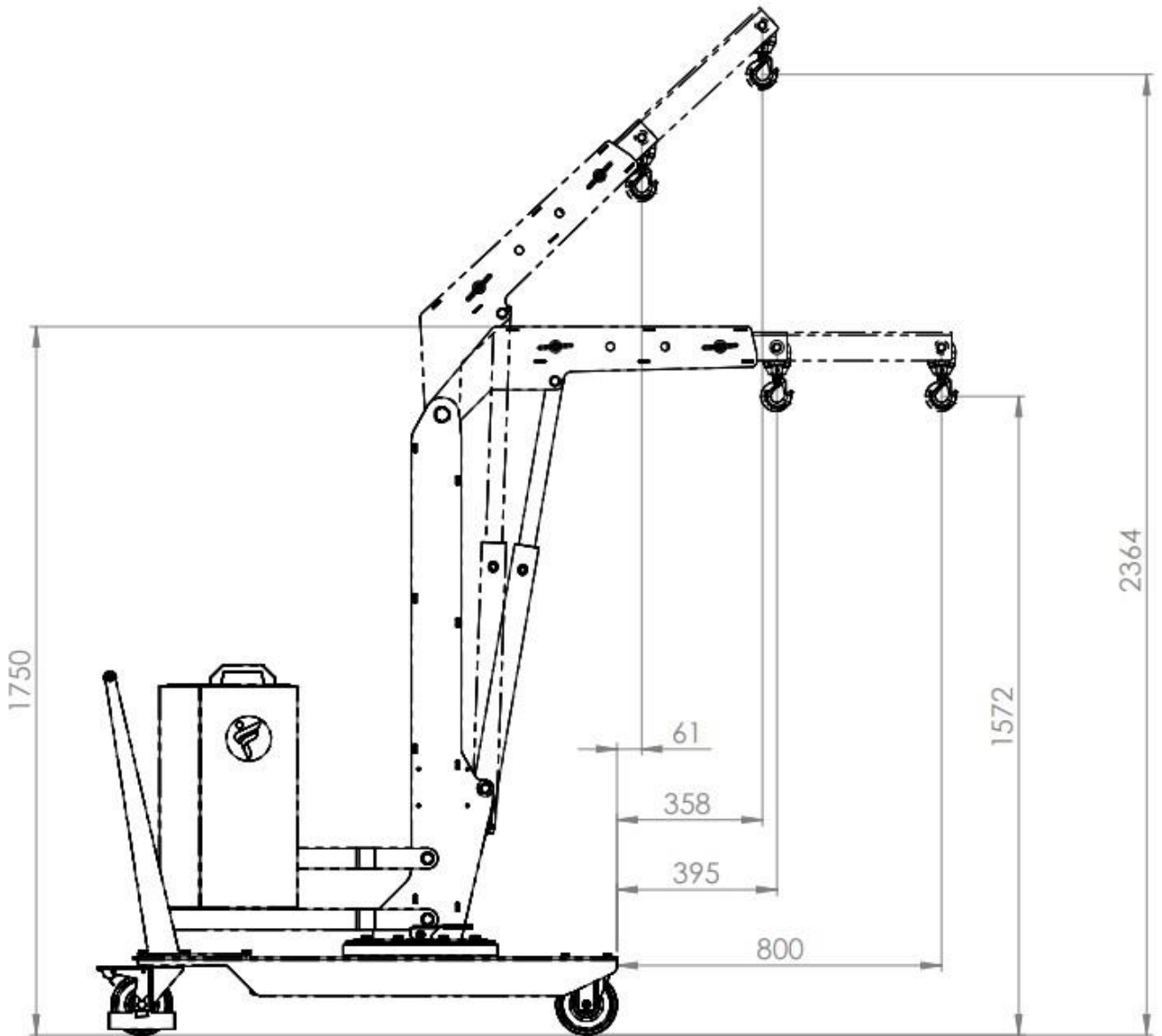


Model		01M5
Drive		Manual
Rotation		360° manual - slewing bearing system
Arm lifting		Manual – double action lifting pump
Arm lowering		Manual – descent knob
Arm extension		Manual – lockable in 4 positions
Width with arm not rotated	mm/inch.	980 / 39
Width with arm rotated at 90°	mm/inch.	1140 / 45
Max capacity with standard arm	Kg / lbs.	500 / 1102 * see load chart below
Max capacity with extension PZG1_MBP	Kg / lbs.	250 / 551 * see load chart below
Max capacity with extension PZG2_MBP	Kg / lbs.	205 / 452 * see load chart below
Max capacity with extension PZG3_MBP	Kg / lbs.	160 / 353 * see load chart below
Weight of the crane (counterweight incl.)	Kg / lbs.	600 / 1323
Battery type		-
Batteries nos.	pcs	-
Battery voltage / nominal capacity	V / Ah	-
Lifting motor	W	-
Traction motor	W	-

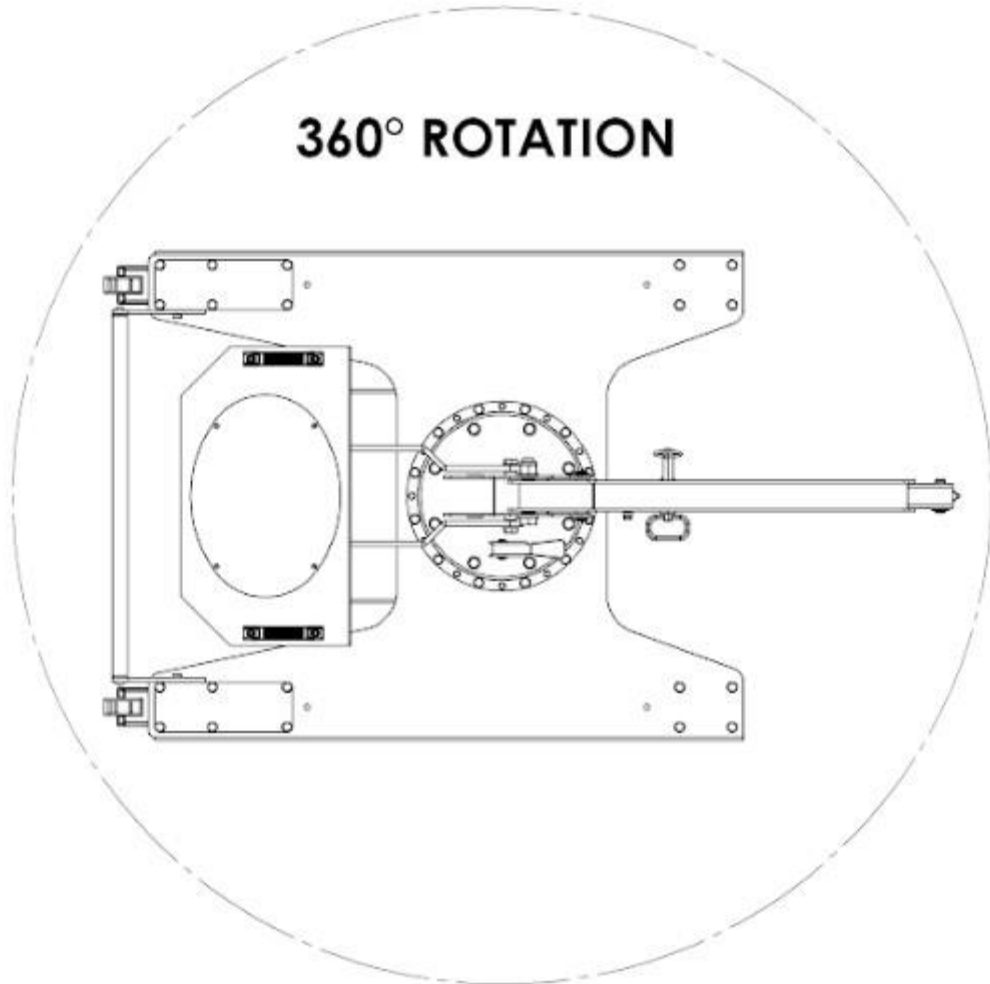
CRANE 01M5 MAIN DIMENSIONS



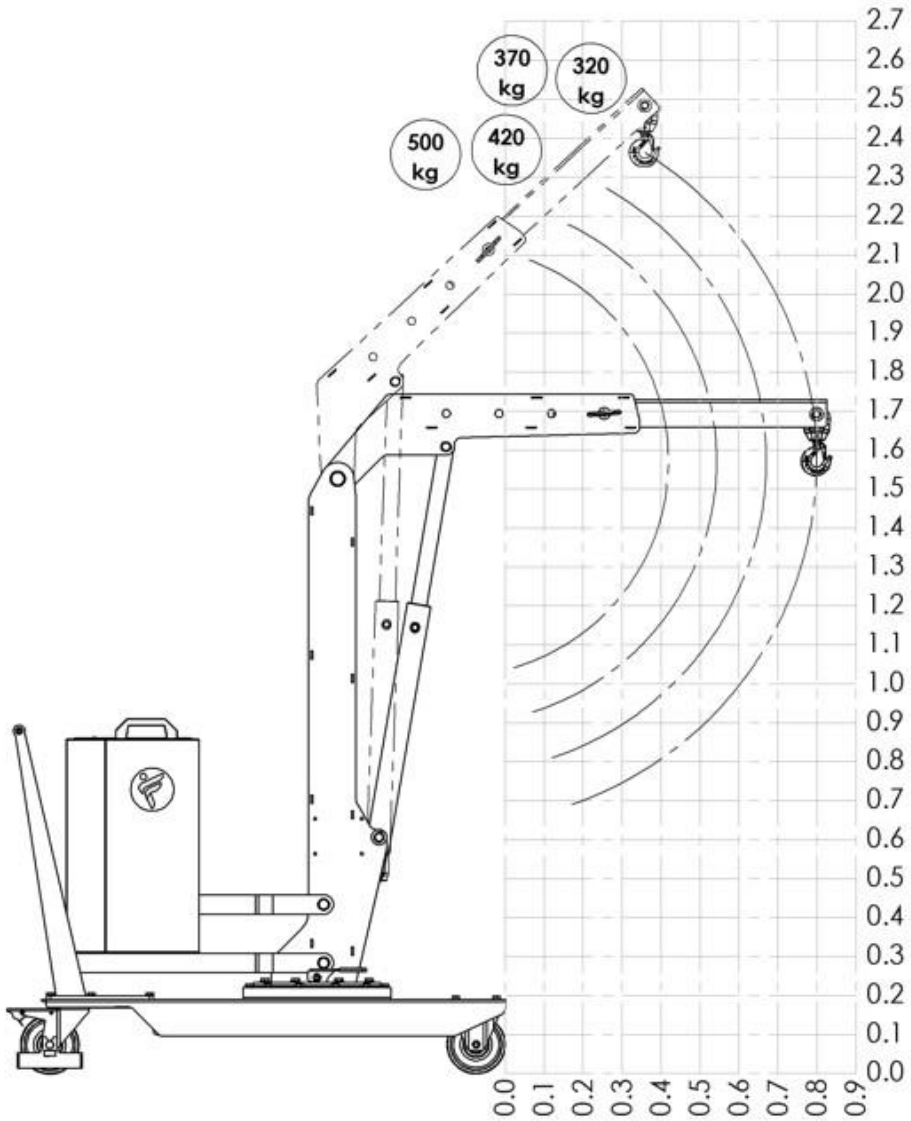
CRANE 01M5 DETAILED DIMENSIONS WITH STANDARD ARM



CRANE 01M5 MAIN DIMENSIONS



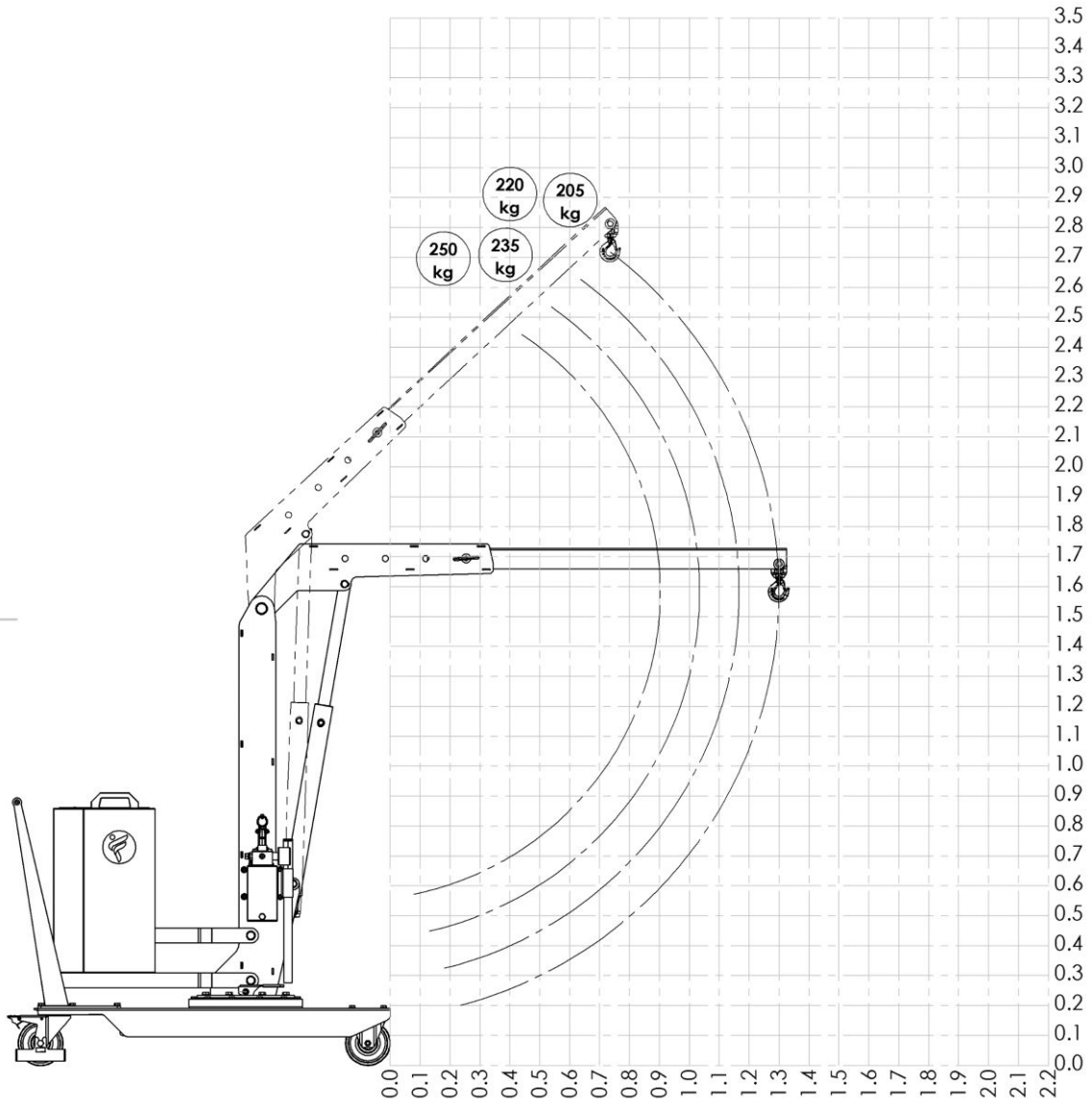
CRANE 01M5 LOAD CHART WITH STANDARD ARM



POS.	OVERHANG MM / INCH.	CAPACITY KG / LBS.
1	365 / 14	500 / 1102
2	500 / 20	420 / 926
3	635 / 25	370 / 816
4	770 / 30	320 / 705

CRANE 01M5

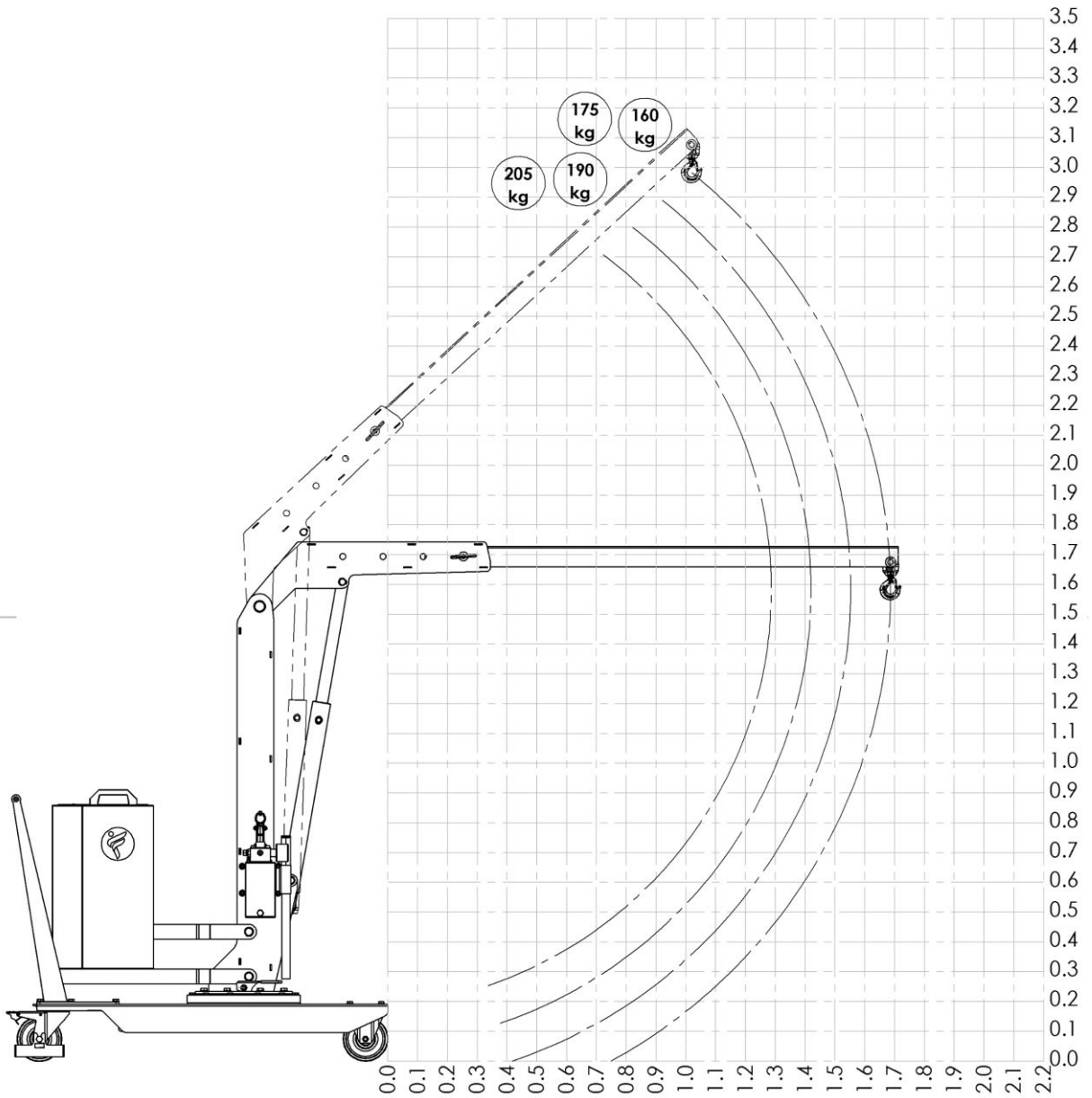
LOAD CHART WITH OPTIONAL EXTENSION PZG1-MBP



POS.	OVERHANG MM / INCH.	CAPACITY KG / LBS.
1	865 / 34	250 / 551
2	1000 / 39	235 / 518
3	1135 / 45	220 / 485
4	1270 / 50	205 / 452

CRANE 01M5

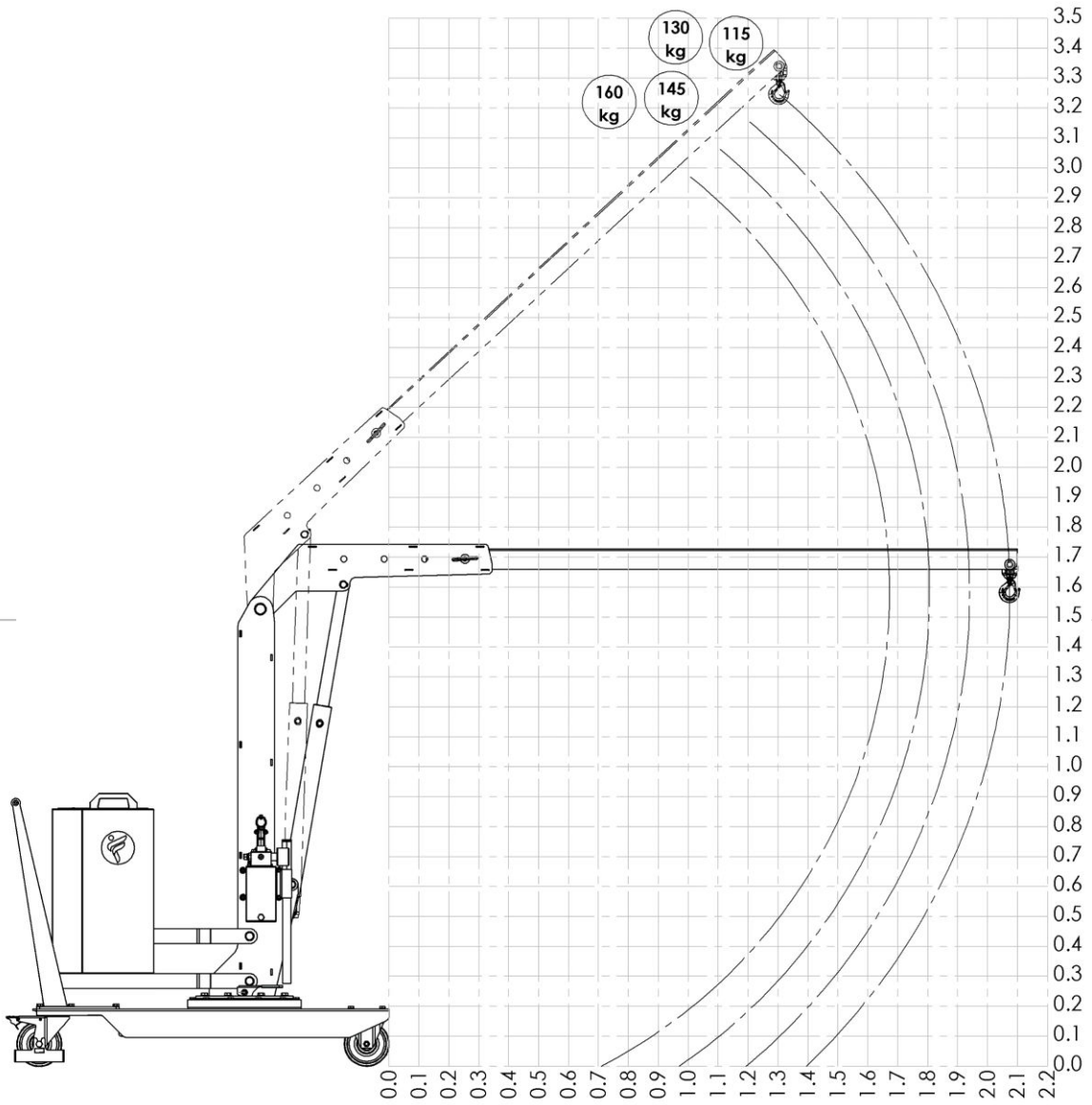
LOAD CHART WITH OPTIONAL EXTENSION PZG2-MBP



POS.	OVERHANG MM / INCH.	CAPACITY KG / LBS.
1	1250 / 49	205 / 452
2	1385 / 54	190 / 418
3	1520 / 60	175 / 385
4	1655 / 65	160 / 352

CRANE 01M5

LOAD CHART WITH OPTIONAL EXTENSION PZG3-MBP



POS.	OVERHANG MM / INCH.	CAPACITY KG / LBS.
1	1645 / 65	160 / 352
2	1780 / 70	145 / 319
3	1915 / 75	130 / 286
4	2050 / 81	115 / 253