

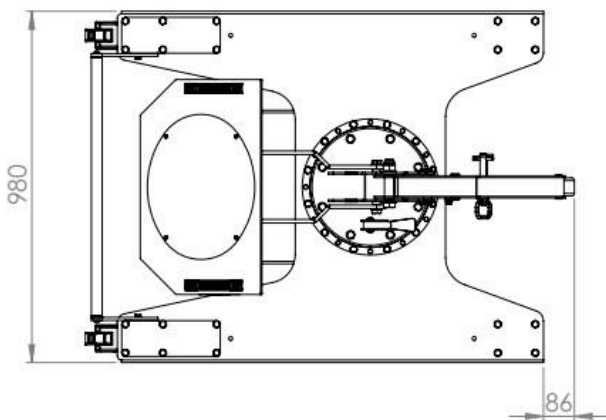
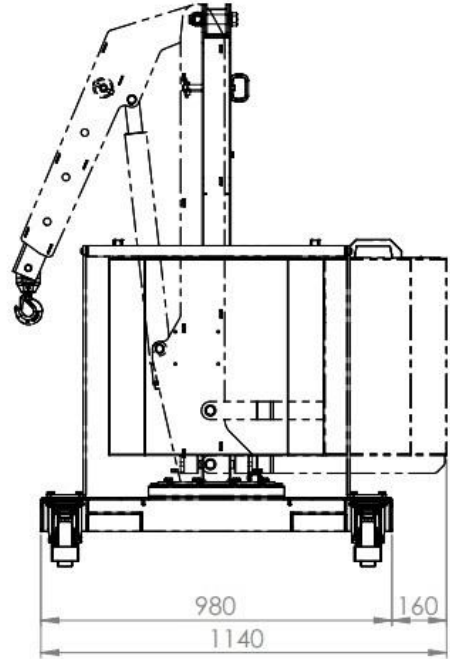
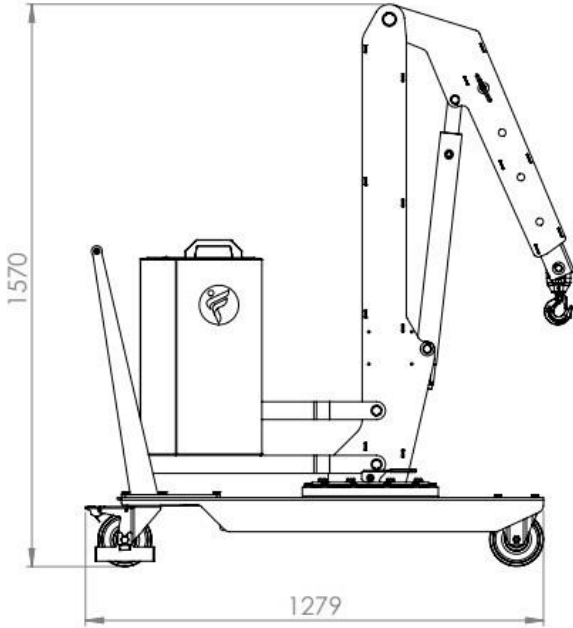
CRANE 01B5

LIFTING CAPACITY 500 KG
COUNTERBALANCED SWIVEL CRANE LIFT/LOWER POWERED CONTROLLED
SINGLE SPEED NOT ADJUSTABLE

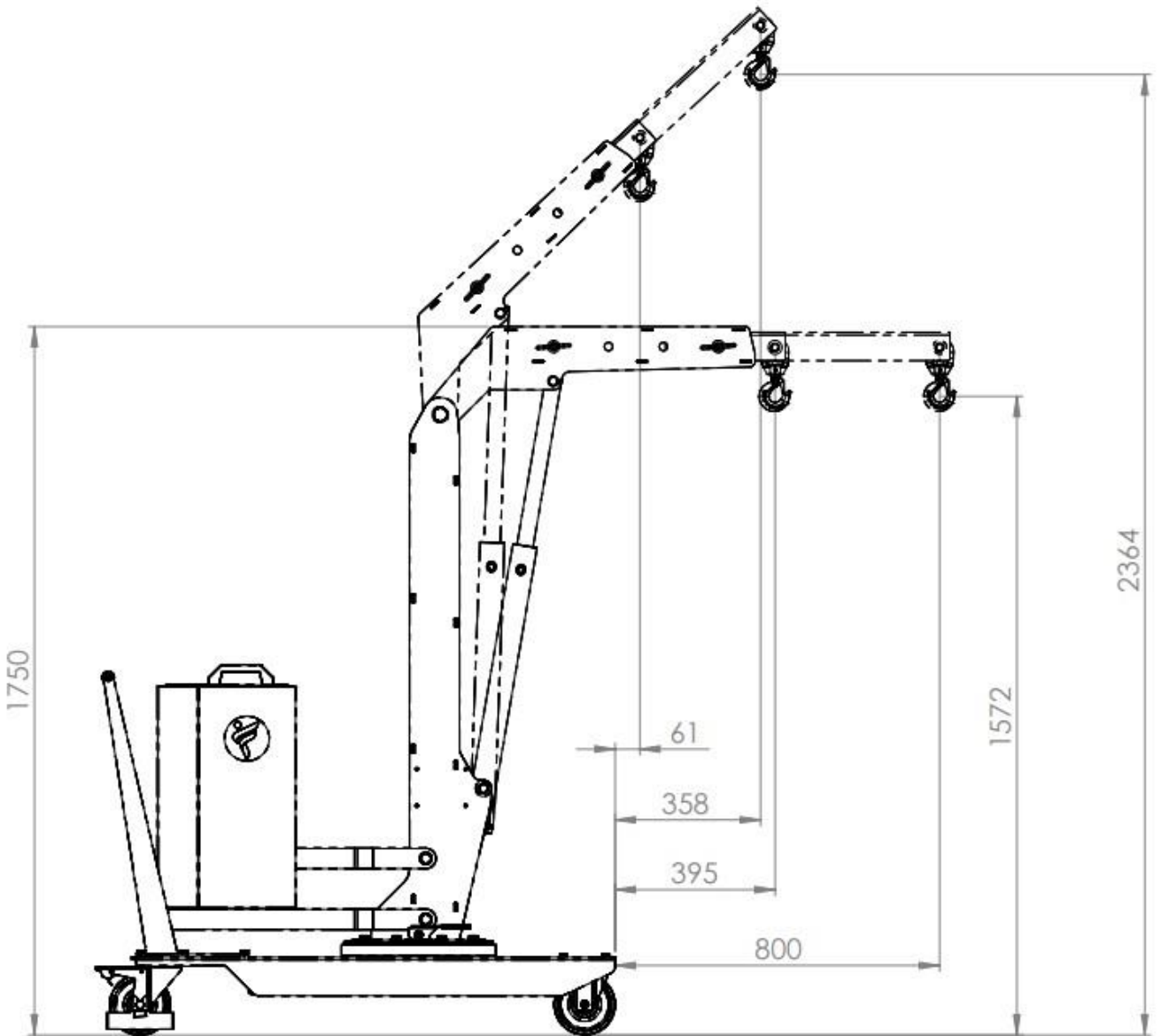


| Model | | 01B5 |
|---|-----------|--|
| Drive | | Manual |
| Rotation | | 360° manual - slewing bearing system |
| Arm lifting | | Electric – push button pendant station |
| Arm lowering | | Electric – push button pendant station |
| Arm extension | | Manual – lockable in 4 positions |
| Width with arm not rotated | mm/inch. | 980 / 38 |
| Width with arm rotated at 90° | mm/inch. | 1140 / 44 |
| Max capacity with standard arm | Kg / lbs. | 500 / 1102 * see load chart below |
| Max capacity with extension PZG1_MBP | Kg / lbs. | 250 / 551 * see load chart below |
| Max capacity with extension PZG2_MBP | Kg / lbs. | 205 / 452 * see load chart below |
| Max capacity with extension PZG3_MBP | Kg / lbs. | 160 / 353 * see load chart below |
| Weight of the crane (counterweight incl.) | Kg / lbs. | 640 / 1410 |
| Battery type standard | | Lead acid |
| Batteries nos. | pcs | 1 |
| Battery voltage / nominal capacity | V / Ah | 12 / 80 |
| Lifting motor | W | - |
| Traction motor | W | - |

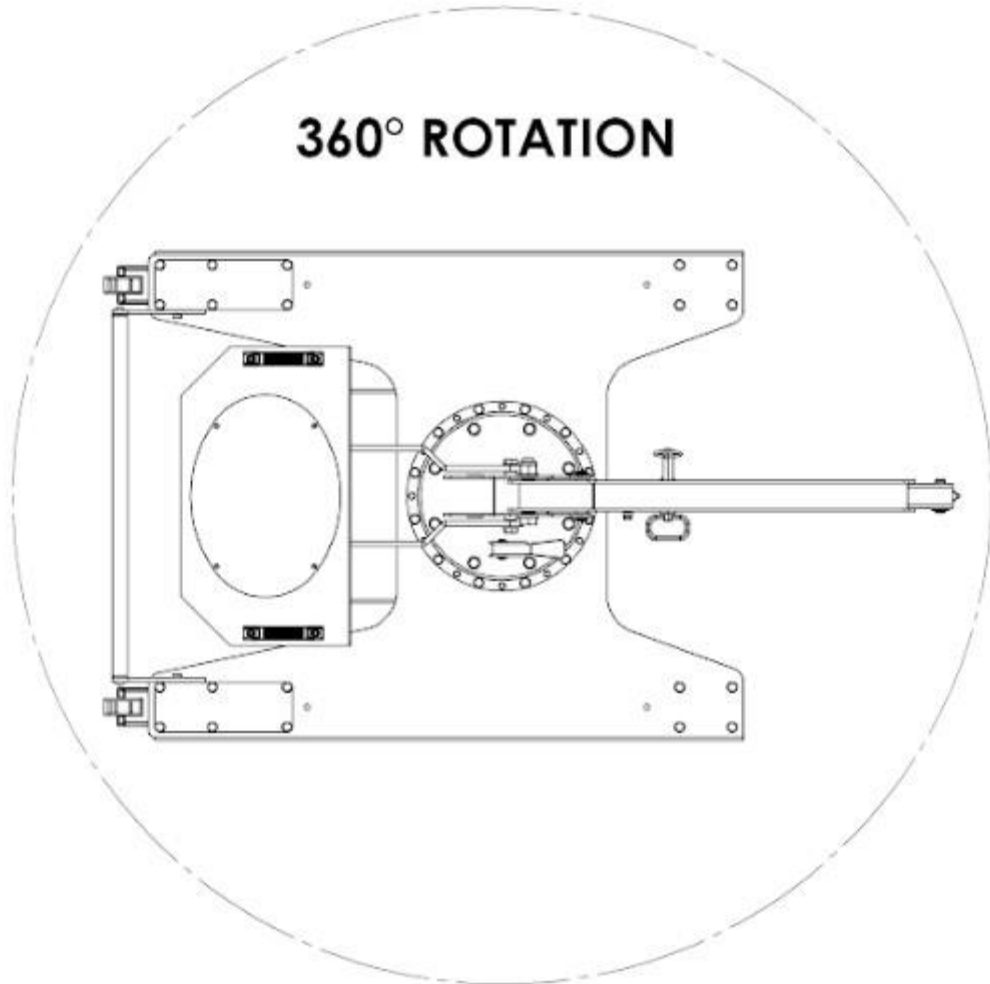
CRANE 01B5 MAIN DIMENSIONS



CRANE 01B5 DETAILED DIMENSIONS WITH STANDARD ARM

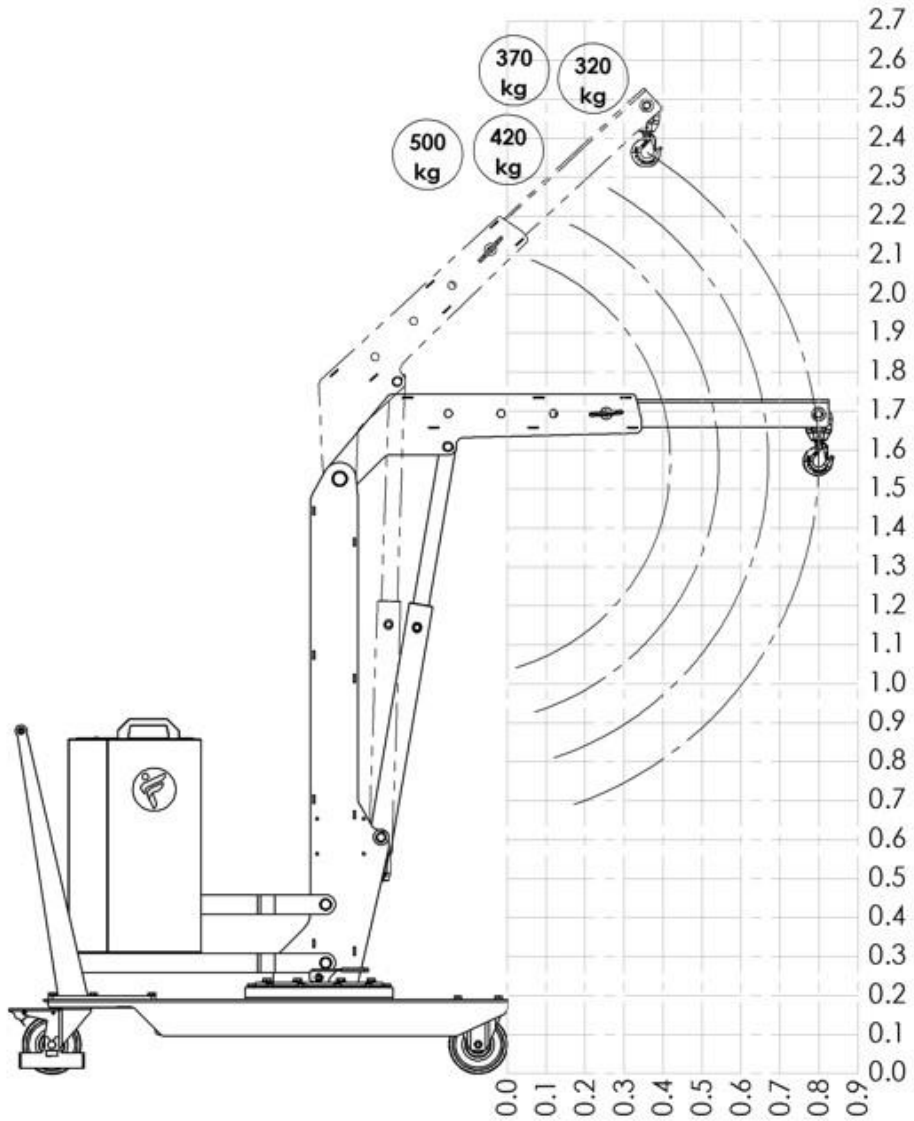


CRANE 01B5L MAIN DIMENSIONS



CRANE 01B5

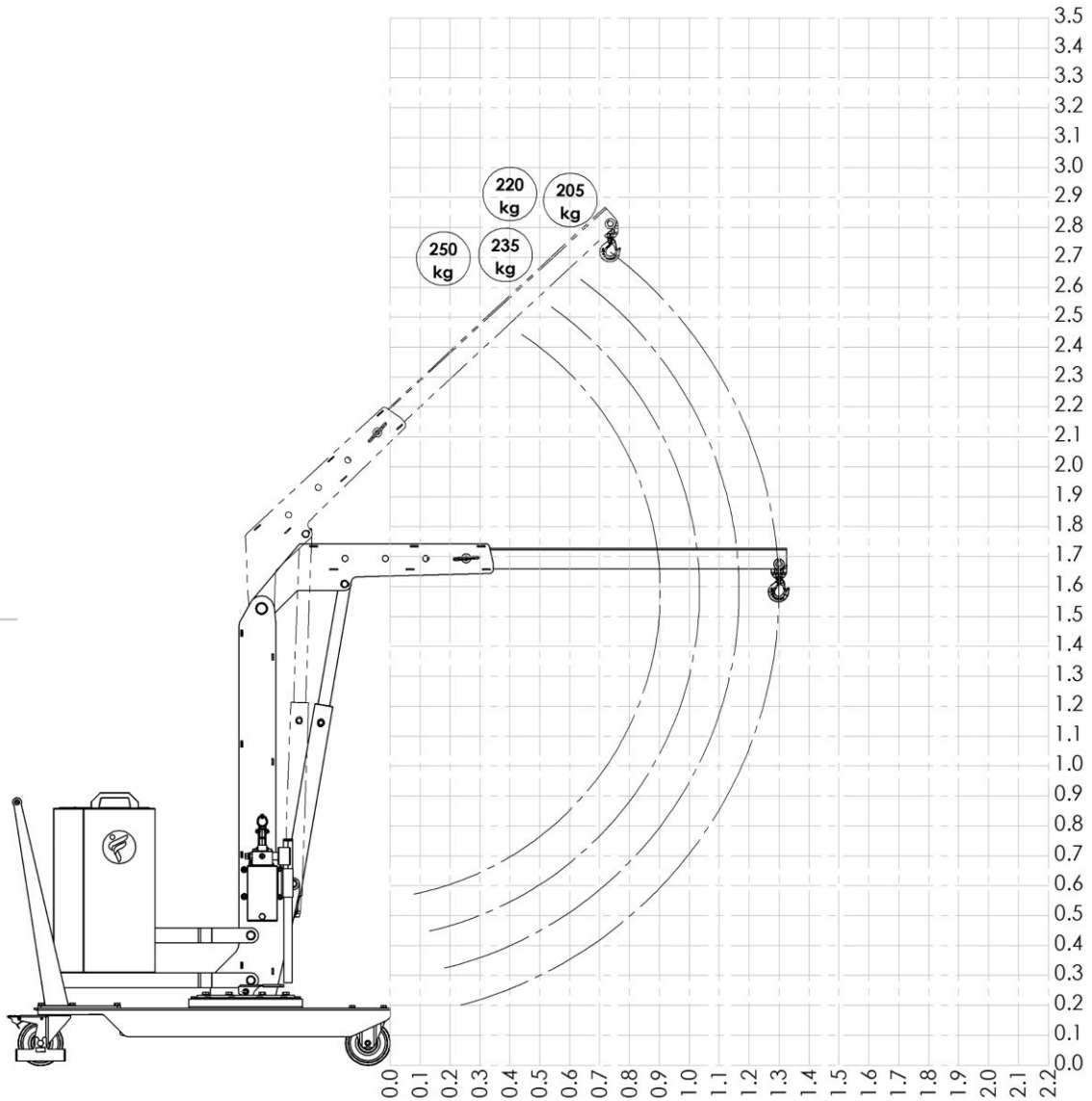
LOAD CHART STANDARD CONFIGURATION



| POS. | OVERHANG MM / INCH. | CAPACITY KG / LBS. |
|------|---------------------|--------------------|
| 1 | 365 / 14 | 500 / 1102 |
| 2 | 500 / 20 | 420 / 926 |
| 3 | 635 / 25 | 370 / 816 |
| 4 | 770 / 30 | 320 / 705 |

CRANE 01B5

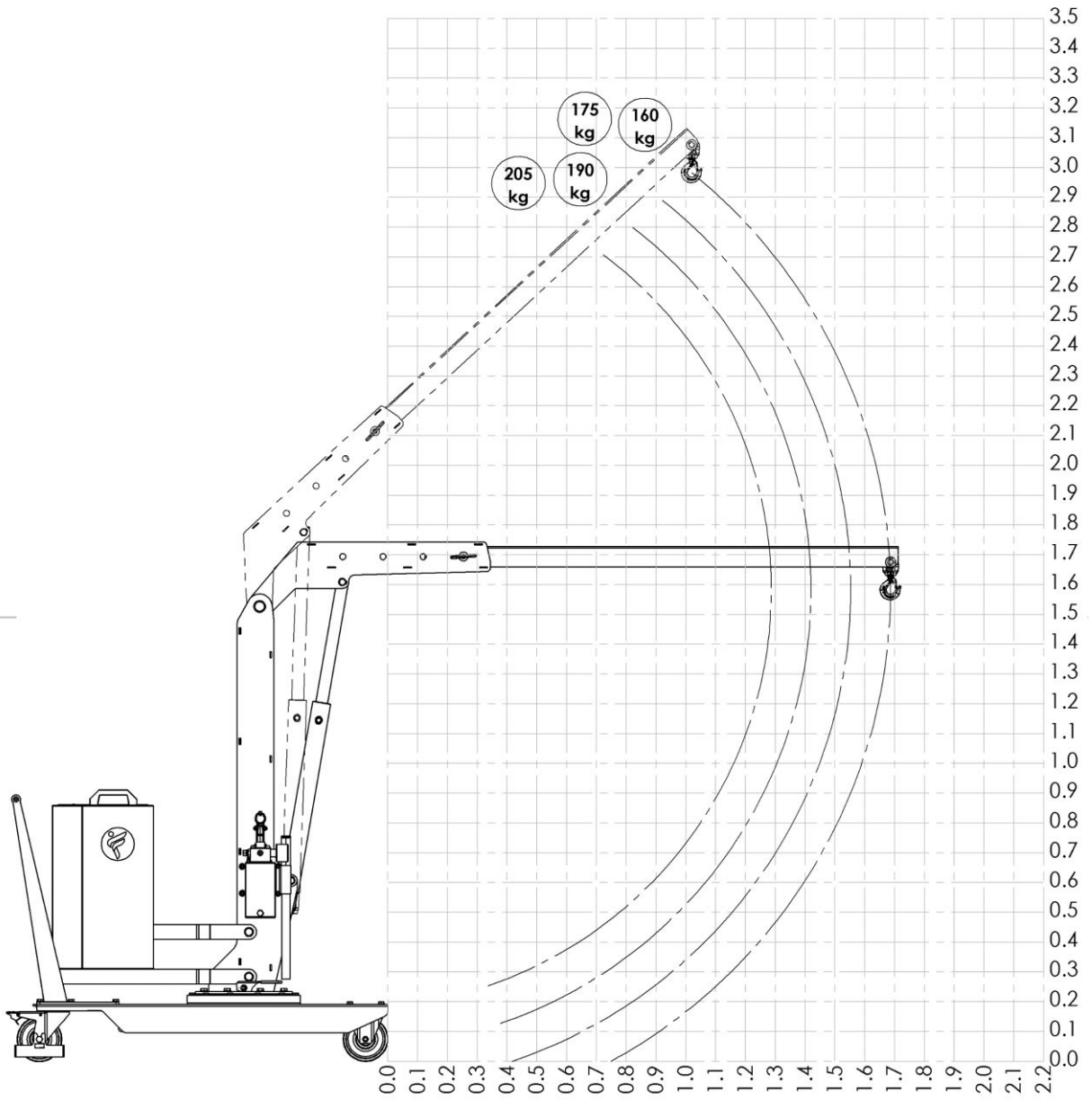
LOAD CHART WITH OPTIONAL EXTENSION PZG1-MBP



| POS. | OVERHANG MM / INCH. | CAPACITY KG / LBS. |
|------|---------------------|--------------------|
| 1 | 865 / 34 | 250 / 551 |
| 2 | 1000 / 39 | 235 / 518 |
| 3 | 1135 / 45 | 220 / 485 |
| 4 | 1270 / 50 | 205 / 452 |

CRANE 01B5

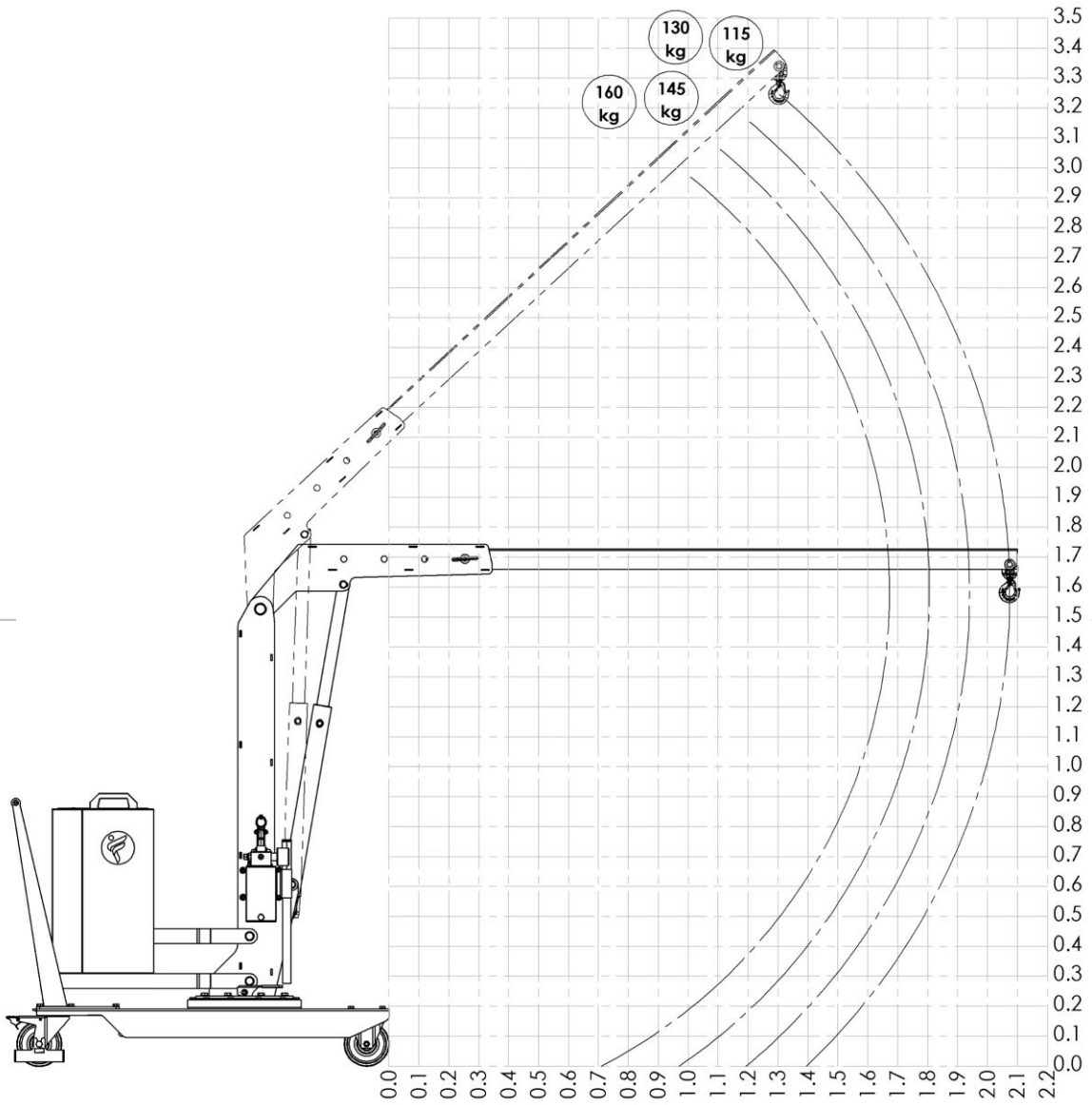
LOAD CHART WITH OPTIONAL EXTENSION PZG2-MBP



| POS. | OVERHANG MM / INCH. | CAPACITY KG / LBS. |
|------|---------------------|--------------------|
| 1 | 1250 / 49 | 205 / 452 |
| 2 | 1385 / 54 | 190 / 418 |
| 3 | 1520 / 60 | 175 / 385 |
| 4 | 1655 / 65 | 160 / 352 |

CRANE 01B5

LOAD CHART WITH OPTIONAL EXTENSION PZG3-MBP



| POS. | OVERHANG MM / INCH. | CAPACITY KG / LBS. |
|------|---------------------|--------------------|
| 1 | 1645 / 65 | 160 / 352 |
| 2 | 1780 / 70 | 145 / 319 |
| 3 | 1915 / 75 | 130 / 286 |
| 4 | 2050 / 81 | 115 / 253 |