

Mod. GZ1000B and Mod. GZ1000BP are counterbalanced cranes ideal for placements of loads up to 1000 kg over any barrier/obstruction (on 3D machines, machining centres, lathes, assembly lines, etc). Jib reaches a distance of 2000 mm with 275 kg of max capacity. They come with two-fixed wheel and two pivoting wheels with brake. Easy to handle and move, even at max load.

**GZ1000B**  
**GZ1000BP**

Counterbalanced  
crane for heavy  
loads

**MAX CAP**  
**1000 KG**

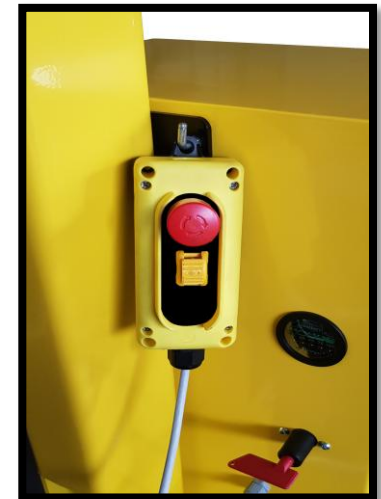
These are electric lifting cranes.  
Arm is extensible in 4 positions.  
They come equipped with two safety valves to  
prevent falling of load in the event of hose  
failure, and machine overloading.

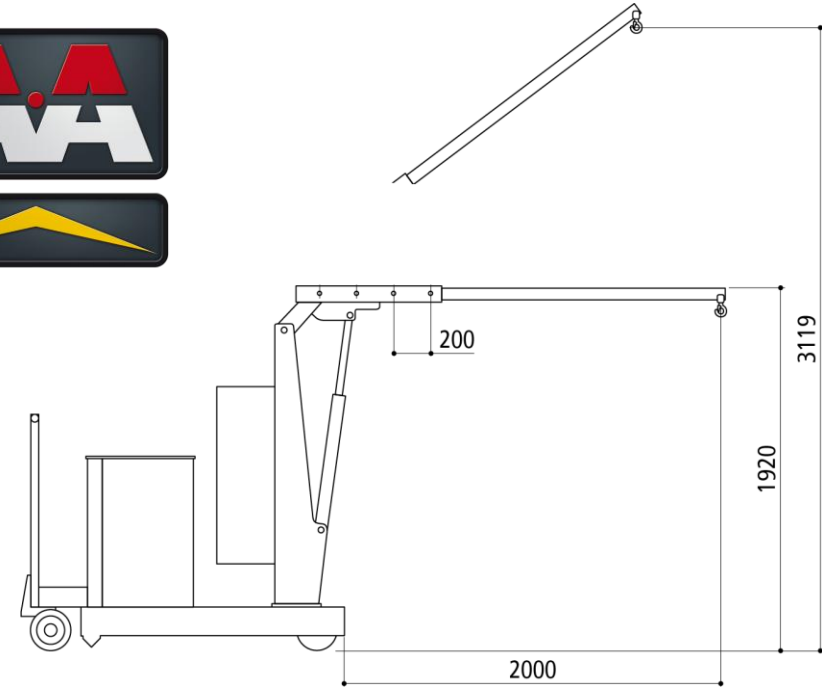
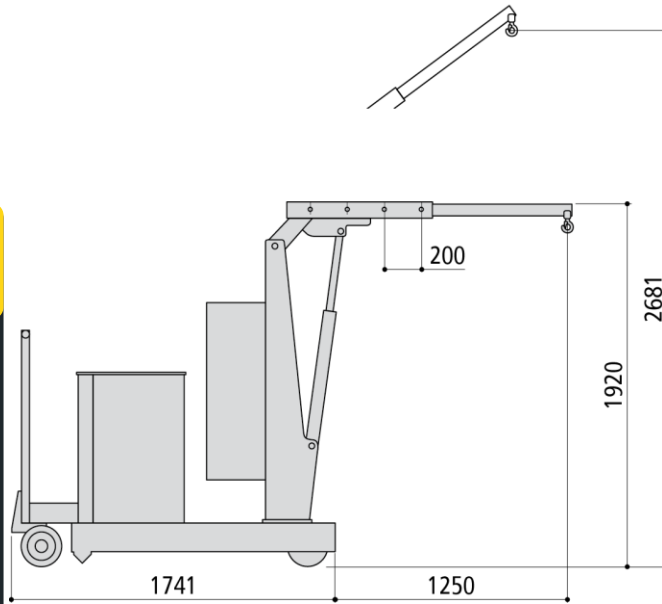


**AVAILABLE IN TWO VERSIONS:**

**GZ1000B: SINGLE LOWERING SPEED**

**GZ1000BP: INFINITE ADJUSTMENT SPEED**





**GZ1000B  
GZ1000BP**

**Max  
outreach  
2000 mm**

	OUTREACH WITH STANDARD JIB	MAX CAP. WITH STANDARD JIB	OUTREACH WITH EXTENSION	MAX CAP WITH EXTENSION
POS. 1	650 mm	1000 kg	1400 mm	450 kg
POS. 2	850 mm	835 kg	1600 mm	390 kg
POS. 3	1050 mm	670 kg	1800 mm	325 kg
POS. 4	1250 mm	500 kg	2000 mm	275 kg

WEIGHT	MAX LIFTING TIME	MAX LOWERING TIME	MAX PRESSURE	CYLINDER		MAX CAPACITY	TANK CAPACITY
				STROKE	DIAMETER		
1200 KG	50 SEC	45 SEC	95 BAR	550 mm	70 mm	1000 KG	2L