



*Flessibilità  
per il TUO lavoro*

# 01M5

## Counterbalanced Manual Swivel Crane

### Capacity 500 kg



Mod.**01M5** is an extremely versatile, easy to operate crane.

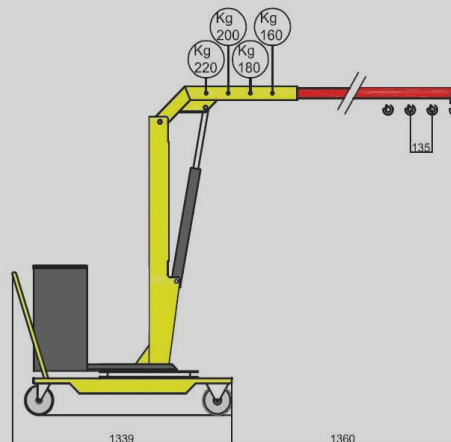
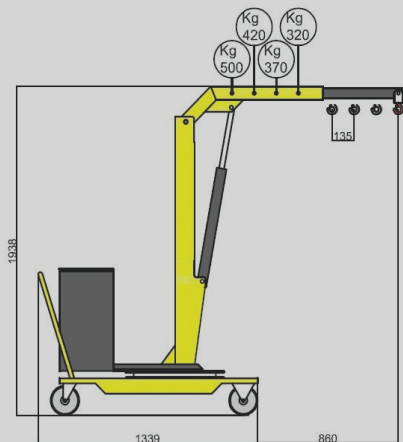
Suitable for lifting loads of various shapes and dimensions from the ground to machines, assembly lines and anywhere needed.

Ideal to place moulds, spare parts and various products on machine tools with perimeter protections or narrow openings (presses, lathes, milling machines)

Mod. **01M5** is an essential tool in any workshop.



# 01M5



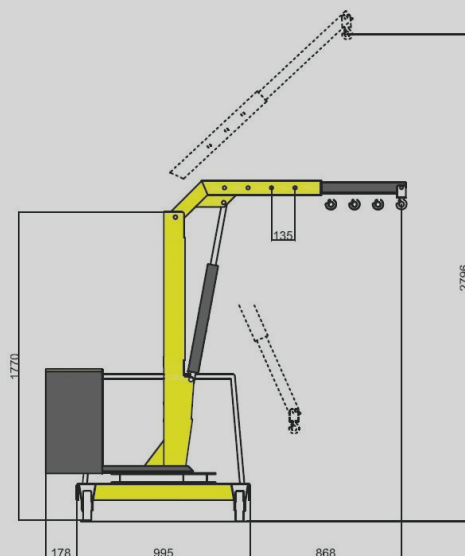
Mod.**01M5** comes with a revolving jib extendible in 4 positions

Lowering is activated by turning a built-in knob which is mounted directly on the cylinder

The pump is equipped with a pressure relief valve that prevents operating above maximum capacity.

Extension jib is also available on demand to increase outreach up to 1360 mm

Mod. **01M5** is ideal to handle loads in compliance with health and safety norms



### TECHNICAL DATA

|                   |       |     |
|-------------------|-------|-----|
| Weight            | [kg]  | 600 |
| Max capacity      | [kg]  | 500 |
| Max lifting time  | [sec] | 30  |
| Max lowering time | [sec] | 15  |
| Max pressure      | [BAR] | 160 |
| Tank capacity     | [L]   | 0,4 |

### CYLINDER

|        |      |        |
|--------|------|--------|
| Stroke | ∅    | ∅ Stem |
| [mm]   | [mm] | [mm]   |
| 475    | 60   | 30     |

### OUTREACH WITH STANDARD JIB

| Pos. | Length [mm] | Capacity [kg] |
|------|-------------|---------------|
| 1    | 455         | 500           |
| 2    | 590         | 420           |
| 3    | 725         | 370           |
| 4    | 860         | 320           |

### OUTREACH WITH EXTENSION JIB

| Pos. | Length [mm] | Capacity [kg] |
|------|-------------|---------------|
| 1    | 955         | 220           |
| 2    | 1090        | 200           |
| 3    | 1225        | 180           |
| 4    | 1360        | 160           |