



01M2

MANUAL
COUNTERBALANCED
CRANE

Capacity 200 kg



Mod. **01M2** is an extremely versatile, easy to operate crane.

Suitable for lifting loads of various shapes and dimensions from the ground to machines, assembly lines and anywhere needed.

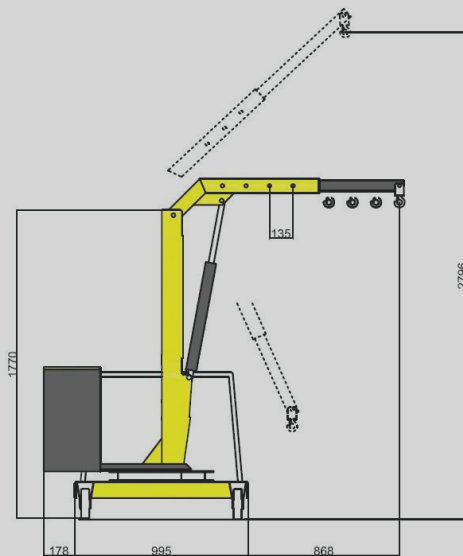
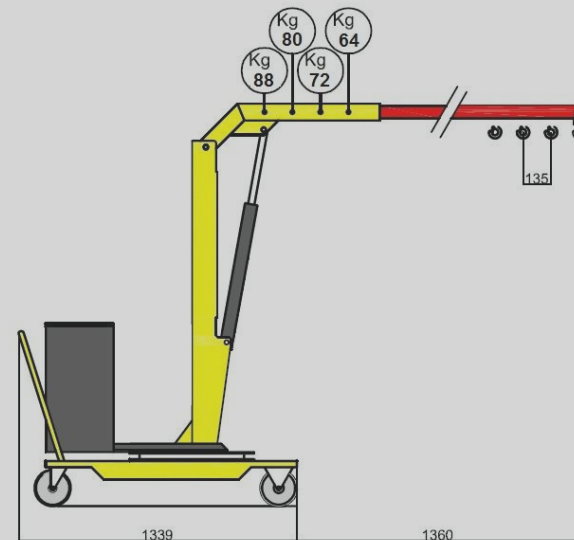
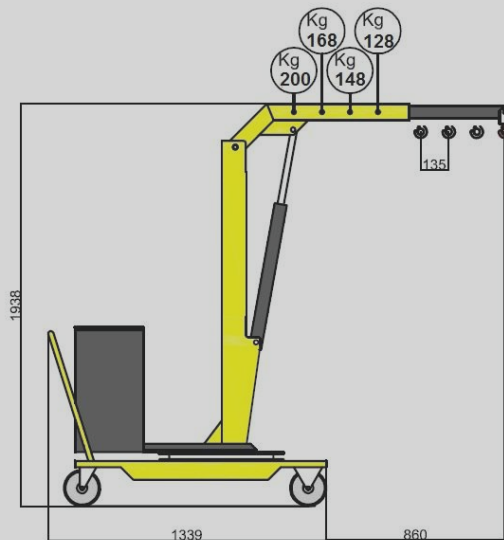
Ideal to place moulds, spare parts and various products on machine tools with perimeter protections or narrow openings (presses, lathes, milling machines)

Mod. **01M2** is an essential tool in any workshop





01M2



Technical data		
Weight	[kg]	400
Max capacity	[kg]	200
Max pressure	[BAR]	160
Tank capacity	[L]	1,5

Standard jib outreach /capacities		
Posizione	Lunghezza [mm]	Portata [kg]
1	455	200
2	590	170
3	725	150
4	860	130

Jib outreach/capacities with extension		
Position	Length [mm]	Capacity [kg]
1	955	92
2	1090	85
3	1225	78
4	1360	71