



01B5SE

360° pivoting arm

4 -function distributor

Max capacity:
500 kg



**BUILT-IN
BALLAST
WEIGHTS**

Mod. 01B5SE is a counterbalanced crane with built-in ballast weights, to lift loads up to 500 kg.

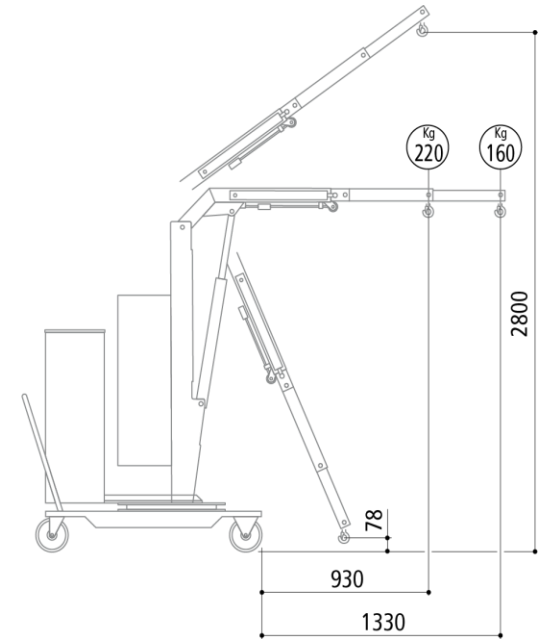
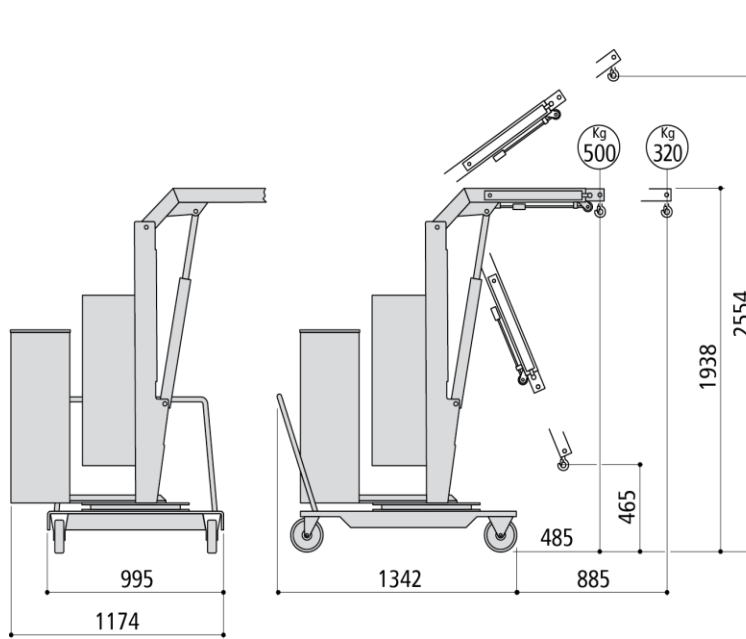
Ideal for awkward placements from the ground onto 3D machines, lathes, over perimeter protections, narrow openings, etc., thanks to its 360° pivoting arm. It is equipped with a 4-function electric distributor for arm lifting, lowering jib extension and retraction. All functions are activated by a built-in lever. Lowering occurs in off-mode.

It is equipped with two safety valves to prevent falling of loads in the event of hose failure and to prevent machine overloading.



01B5SE

Extremely precise placement with infinite adjustment speed



Technical data		
Weight	[kg]	660
Max capacity	[kg]	500
Max pressure	[BAR]	150
Power	[W]	300
Tank capacity	[L]	2
No. 1 traction battery	[V]	[A]
	12	80
High frequency battery charger	[V]	220
	[A]	12

Cylinder		
Stroke	∅	∅ Stem
[mm]	[mm]	[mm]
470	60	40

All components are made in Italy

Standard jib outreach and capacity	
Length	From 485 mm to 885 mm
Capacity	From 500 kg to 320 kg
Optional jib extension outreach and capacity	
Length	From 930 mm to 1330 mm
Capacity	From 220 kg to 160 kg

This crane allows to carry out placements in full compliance with Health and Safety norms.

Suitable to operate in tiny spaces thanks to its small frontal size (995mm)

