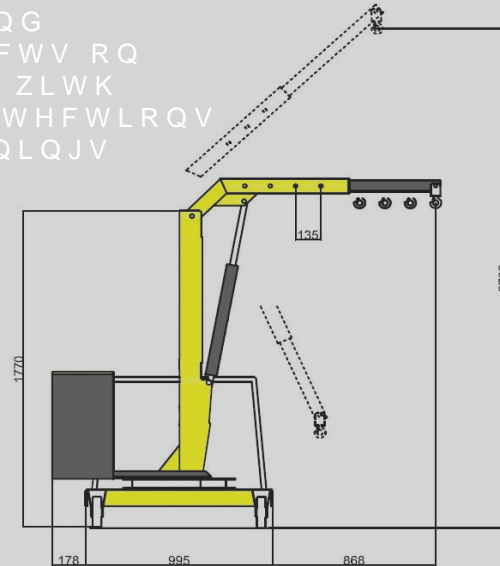
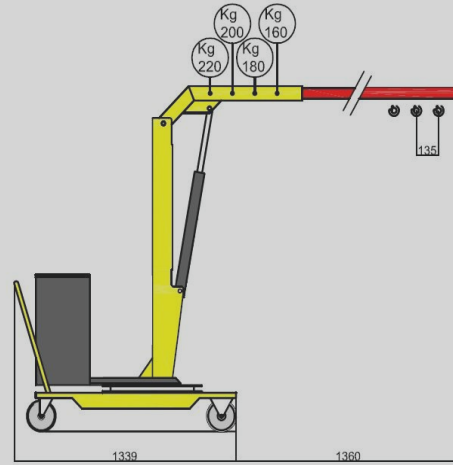
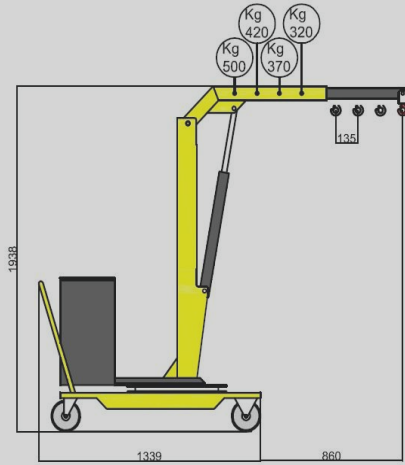




# 01B5 01B5P

, GHDO WRRXO /H  
VSDUH SDUW DQG  
YDULRXV SURKFWV RQ  
PDFKLQH WRFRV ZLWK  
SHULPHWHU SURWHFWLRQV  
RU QDUURZ RYHQQLQJV



TECHNICAL DATA	
:HLJKW	>NJ
0D[ FDSDFLW	>NJ
0D[ OLIWLQJ	>VHF
0D[ ORZHULQJ	>VHF
0D[ SUHV VXU	>% \$5
%DWWHU\	>9@
3RZHU	>:@
7DQN FDSDFL	>/@

CYLINDER		
Stroke	∅	∅ Stem
[mm]	[mm]	[mm]
	60	40

OR 01B5/01B5P FRPHV ZLWK D UHY  
H[WHQGLF D VLMQR

7KH F\OLQGHU KDV D EXUVW Y  
IDOOHQJ RI ORDG LQ WKH H

7KH SXPS LV HTXLSSHG ZLWK  
YDOYH WKDW SUHYHQWV RSHU  
FDSDFLW  
/RZHULQJ VSHHG FDQ EH UHJXO  
YDOYH ZKLFK LV PRXQWHG XQG

([WHQVLRQ MLE LV DOVR DYD  
LQFUHDVH RXWUHDFK X

ORG % % DOORZV WKH KDQGOL  
EH FDUULHG RXW LQ FRPSOLD  
VDIHW\ QRU

OUTREACH WITH STANDARD JIIB		
3RV	/HQJWK	&DSDF
	>PP@	>NJ@

OUTREACH WITH EXTENSION JIIB		
3RV	/HQJWK	&DSDF
	>PP@	>NJ@